



DATE: 15/12/2017

MODEL: RXC/SPYDER

REAR ANTI ROLL BAR

PRIORITY – LOW (INFORMATION)

The rear anti roll bar design has been changed. The latest specification has added material and an altered welding path. The latest specification has been fitted to all new cars from September 2017.

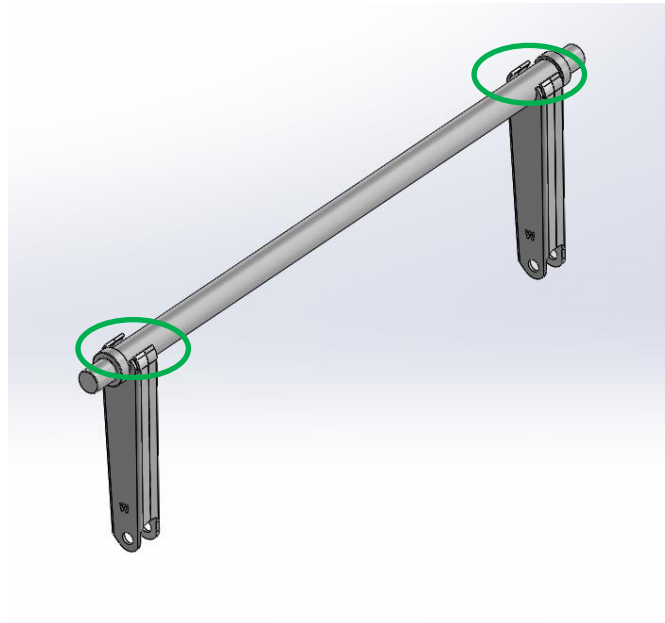


Figure 1 – Updated Roll Bar

For parts supply please contact: stores@radicalsportscars.com

Technical Department
Radical Sportscars

Mobile: +44 (0)7876 146854
Tel: +44 (0)1733 331616 ext. 263
Email: technical@radicalsportscars.com



RADICAL