



DATE: 15/12/2017

MODEL: RXC/SPYDER

**REAR LOWER WISHBONE**

***PRIORITY – LOW (INFORMATION)***

The rear lower wishbone design has been changed. The latest specification has added material and an altered welding path. This only affects the Geometry Upgrade wishbones (i.e. with the rod end, circled red)

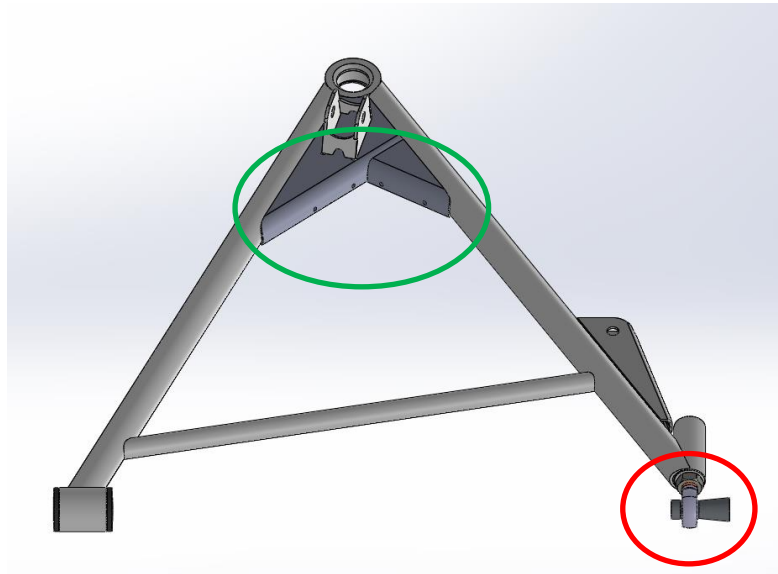


Figure 1 – Updated Wishbone

For parts supply please contact: [stores@radicalsportscars.com](mailto:stores@radicalsportscars.com)

Technical Department  
Radical Sportscars

Mobile: +44 (0)7876 146854  
Tel: +44 (0)1733 331616 ext. 263  
Email: [technical@radicalsportscars.com](mailto:technical@radicalsportscars.com)



**RADICAL**